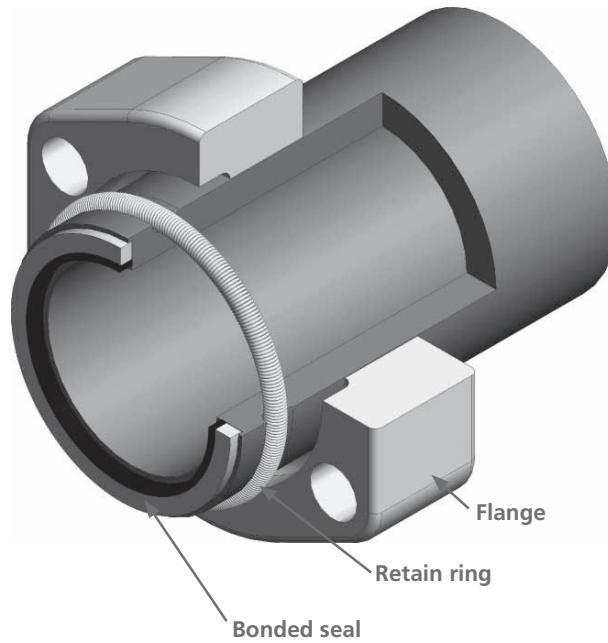


Grooving direct on to pipe

ISO 6162-1 (SAE J 518 Code 61)



Metric pipes

Size	Pipe Size	Flange Part No	Flange ID Code	Retain Ring Part No	Retain Ring ID Code	Bonded Seal Part No	Bonded Seal ID Code
1"	39x7.5	316	1102060000	16	1902002050	1629	2701003000
1 1/4"	46x8	320	1102090000	20	1902003050	2030	2701004000
1 1/2"	56x8.5	324	1102120000	24	1902004050	2432	2701005000
2"	66x8.5	332	1102150000	32	1902006050	3219	2701007000
2 1/2"	80x10	340	1102180000	40	1902007050	4037	2701008000
3"	97x12	348	1102210000	48	1902008050	4839	2701009000

ANSI 36.10/36.19 pipes

Size	Pipe Size	Flange Part No	Flange ID Code	Retain Ring Part No	Retain Ring ID Code	Bonded Seal Part No	Bonded Seal ID Code
1/2"	21.3x7.5	308/21.3	1102000500	08/21.3	1902000250	0821	2701001000
3/4"	26.7x7.8	312/26.7	1102030500	12/26.7	1902001250	0823	2701001400
1"	33.4x9.1	316/33.4	1102060500	16/33.4	1902002250	1633	2701003400
1 1/4"	42.2x9.7	320/42.2	1102090500	20/42.2	1902003250	2042	2701004400
1 1/2"	48.3x10.2	324/48.3	1102120500	24/48.3	1902004250	2448	2701005200
2"	60.3x8.7	332/60.3	1102150700	32/60.3	1902006250	3260	2701007400
2 1/2"	73.0x9.53/14.02	340/73	1102180700	40/73	1902007250	4073	2701008200
3"	88.9x11.13/15.24	348/88.9	1102210800	48/88.9	1902008250	4888	2701009200

Flanges page 35
Retain rings page 72
Bonded seals page 73