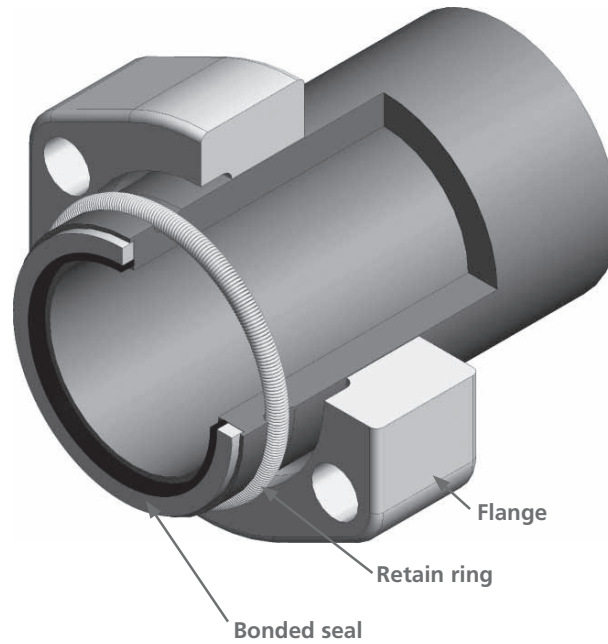


Grooving direct on to pipe

ISO 6162-2 (SAE J 518 Code 62)



Metric pipes

Size	Pipe Size	Flange Part No	Flange ID Code	Retain Ring Part No	Retain Ring ID Code	Bonded Seal Part No	Bonded Seal ID Code
1"	39x7.5	616	1103060000	16	1902002050	1629	2701003000
1 1/4"	46x8	620*	1103097600	20	1902003050	2030	2701004000
1 1/2"	56x8.5	624	1103120000	24	1902004050	2432	2701005000
2"	66x8.5	632	1103150000	32	1902006050	3219	2701007000
2 1/2"	80x10	640	1103180000	40	1902007050	4037	2701008000
3"	97x12	648	1103210000	48	1902008050	4839	2701009000

ANSI 36.10/36.19 pipes

Size	Pipe Size	Flange Part No	Flange ID Code	Retain Ring Part No	Retain Ring ID Code	Bonded Seal Part No	Bonded Seal ID Code
1/2"	21.3x7.5	608/21.3	1103001500	08/21.3	1902000250	0821	2701001000
3/4"	26.7x7.8	612/26.7	1103031500	12/26.7	1902001250	0823	2701001400
1"	33.4x9.1	616/33.4	1103061500	16/33.4	1902002250	1633	2701003400
1 1/4"	42.2x9.7	620/42.2*	1103097605	20/42.2	1902003250	2042	2701004400
1 1/2"	48.3x10.2	624/48.3	1103120800	24/48.3	1902004250	2448	2701005200
2"	60.3x8.7	632/60.3	1103150600	32/60.3	1902006250	3260	2701007400
2 1/2"	73.0x9.53/14.02	640/73	1103181000	40/73	1902007250	4073	2701008200
3"	88.9x11.13/15.24	648/88.9	1103210800	48/88.9	1902008250	4888	2701009200

* = According to the ISO 6162-2 standard (M12 bolts). If flanges with M14 bolt holes are needed, please use 621 (instead of 620) as part number.

Flanges page 79
Retain rings page 116
Bonded seals page 117