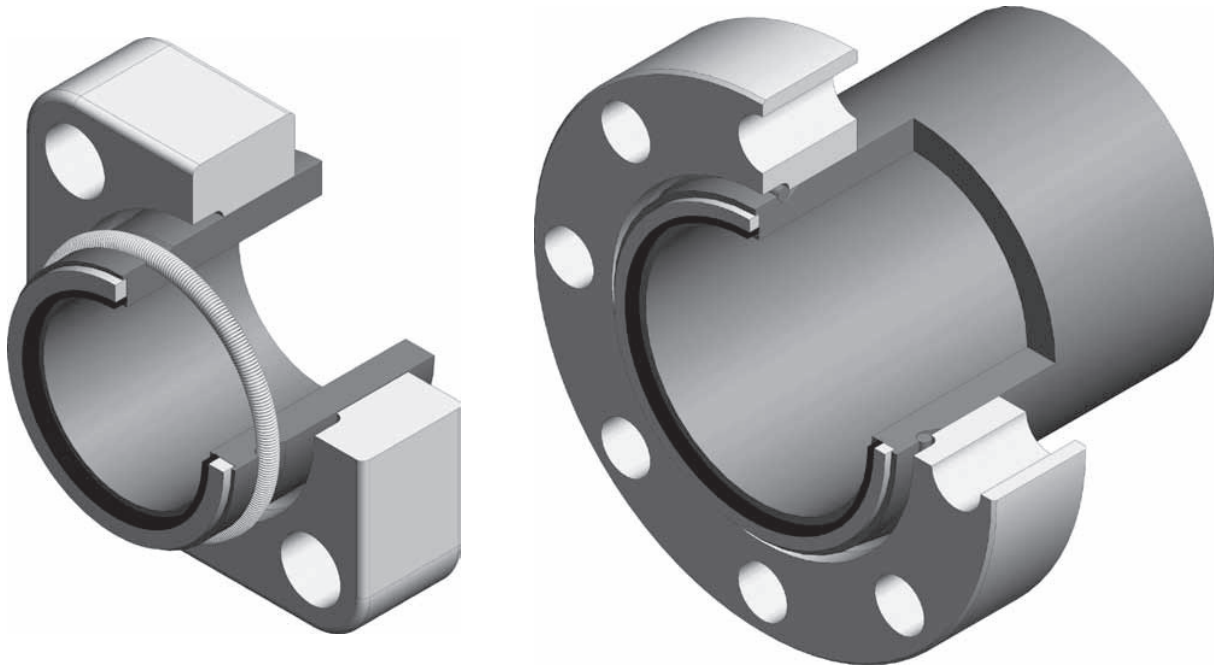


## Grooving direct on to pipe

Drilled to ISO 6164 up to 4"



### Metric pipes

| Size   | Pipe Size  | Flange Part No | Flange ID Code | Retain Ring Part No | Retain Ring ID Code | Bonded Seal Part No | Bonded Seal ID Code |
|--------|------------|----------------|----------------|---------------------|---------------------|---------------------|---------------------|
| 2"     | 66.0x8.5   | 432            | 1104000100     | 32                  | 1902006050          | 3219                | 2701007000          |
| 2 1/2" | 80.0x10.0  | 440            | 1104030000     | 40                  | 1902007050          | 4037                | 2701008000          |
| 3"     | 97.0x12.0  | 448            | 1104060000     | 48                  | 1902008050          | 4839                | 2701009000          |
| 4"     | 115.0x15.0 | 456            | 1104090000     | 56                  | 1902010050          | 5644                | 2701011000          |
| 4 1/4" | 130.0x15.0 | 860            | 1104180000     | 60                  | 1902011050          | 6000                | 2701012000          |
| 5"     | 150.0x15.0 | 864            | 1104210000     | 64                  | 1902012050          | 6455                | 2701013000          |
| 6"     | 190.0x20.0 | 880            | 1104240000     | 80                  | 1902013050          | 8001                | 2701014200          |
| 8"     | 220.0x20.0 | 888            | 1104270000     | 88                  | 1902015250          | *                   | -                   |
| 8"     | 250.0x25.0 | 896            | 1104300000     | 96                  | 1902015050          | 9600                | 2701015000          |

### ANSI 36.10/36.19 pipes

| Size   | Pipe O.D. | Flange Part No | Flange ID Code | Retain Ring Part No | Retain Ring ID Code | Bonded Seal Part No | Bonded Seal ID Code |
|--------|-----------|----------------|----------------|---------------------|---------------------|---------------------|---------------------|
| 2"     | 60.3      | 432/60.3       | 1104011000     | 32/60.3             | 1902006250          | 3260                | 2701007400          |
| 2 1/2" | 73.0      | 440/73         | 1104030700     | 40/73.0             | 1902007250          | 4073                | 2701008200          |
| 3"     | 88.9      | 448/88.9       | 1104060500     | 48/88.9             | 1902008250          | 4888                | 2701009200          |
| 4"     | 114.3     | 456/114.3      | 1104091000     | 56                  | 1902010050          | 5644                | 2701011000          |
| 5"     | 141.3     | 864/141.3      | 1104211000     | 64/141.3            | 1902012250          | *                   | -                   |
| 6"     | 168.3     | 880/168.3      | 1104240300     | 80/168.3            | 1902013250          | *                   | -                   |
| 8"     | 219.1     | 888/219.1      | 1104272000     | 88                  | 1902015250          | *                   | -                   |
| 10"    | 273.0     | 8160/273       | 1104306000     | 160/273             | 1902005050          | *                   | -                   |
| 12"    | 323.9     | 8224/323.9     | 1104310000     | 224/323.9           | 1902016050          | *                   | -                   |
| 14"    | 355.6     | 8224/355.6     | 1104320000     | 224/355.6           | 1902017050          | *                   | -                   |

\*) From sizes 5" to 10" use seal carrier instead of bonded seal (flat pipe end).

Flanges page 127  
Retain rings page 148  
Bonded seals page 149